

# ECC32

## CHARGE FOR ONE HOUR. RUN FOR SEVEN\*

7,000 lbs | 80V AC Motor | Zero Battery Maintenance | 10-year Battery Warranty



## WORK SMARTER

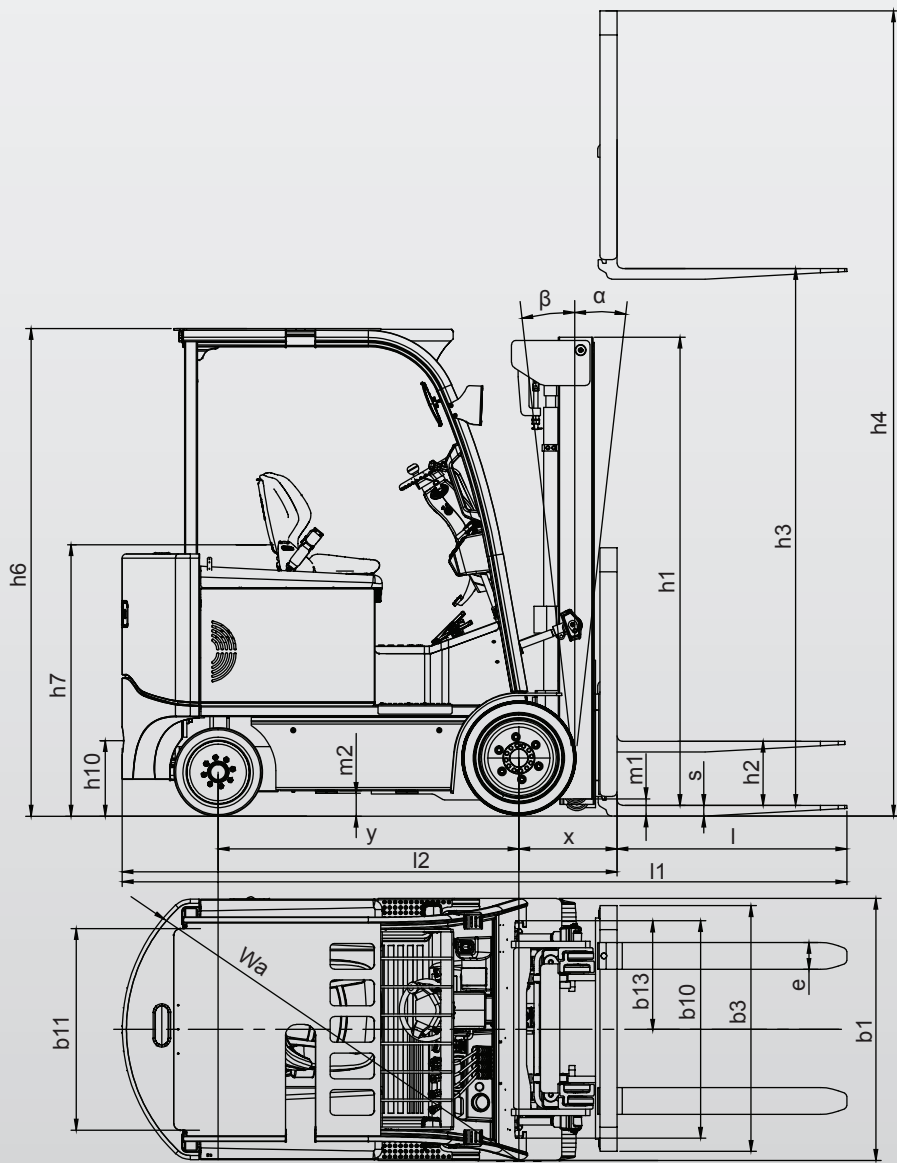
With rapid, restriction-free charging, BYD forklifts operate across multiple shifts without the need to change or replace batteries. Built using iron-phosphate technology, each forklift includes a state-of-the-art Battery Management System and the longest battery warranty in the industry. With BYD, peace of mind is assured.

\*Runtimes and charging rates vary depending on model, charger and application



# ECC32 Specifications

				ECC32
	Load capacity: rated load to 118" @ 24" LC		lb	7055
	Operating voltage		v	80 volts
	Drive Motors			Single
Dimensions	Length to face of forks	l2	in	91.3
	Minimum turning radius	Wa	in	78.7
	Load distance, center wheel to face of forks	x	in	18.3
	Basic right-angle stack (add load and clearance)		in	97
	Overall width (Standard Tread)	b1	in	48
	Height of Seat	h7	in	51.2
	Height of Overhead Guard (Cabin)	h6	in	88.6
	Width of Load Backrest	b3	in	44.9
	Carriage ITA Type			III
	Tilt range (forward/backward)		deg	5/5
	Ground clearance with load, below mast	m1	in	3.1
Performance	Travel speed (loaded/unloaded)		MPH	9.3 / 9.3
	Lift speed (loaded/unloaded)		FPM	84.6/ 88.6
	Lowering speed (loaded/unloaded)		FPM	84.6 / 88.6
	Max gradeability (loaded/unloaded)		%	15 / 20
Power System	Drive motor rating (S2=60 min)		KW	21.5
	Lift motor rating (S3=15% ED)		KW	24
	Battery Volatage / Rated Capacity		V/Ah	80/540
	Charging time			1.3h / 2.6h
	Battery weight		lb	1252
	Type of drive control			AC
Weight	Service weight		lb	12743
	Axle load, fully loaded (front/rear)		lb	17774 / 2024
	Axle load, unloaded (front/rear)		lb	5262 / 7480
Tires	Wheel size, front wheel or driving wheel		Spec	21x 8-15
	Wheel size, rear wheel or supporting wheel		Spec	16 x 7-10.5
	Track width front	b10	in	40.2
	Track width rear	b11	in	39



## ECC32 Mast Specifications

Mast Specifications (in)	Fork Height	Free Lift	Collapsed Height	Extended Height	Fwd Tilt	Back Tilt	Capacity 24" LC
							ECC32
2-Stage Standard Mast	118	4	82	167	5°	5°	7055
	130	4	88	179	5°	5°	7055
	138	4	92	187	5°	5°	7055
	157	4	102	207	5°	5°	7055
	177	4	113	226	5°	5°	7055
	197	4	125	246	5°	5°	6768
3-stage FFL Mast	158	32	79	207	5°	5°	7055
	177	39	86	226	5°	5°	7055
	189	43	90	238	5°	5°	7055
	197	45	93	246	5°	5°	6757
	217	52	99	266	5°	5°	6526
	236	58	106	285	5°	5°	5512



# ECC32 FEATURES

## STANDARD EQUIPMENT

Iron Phosphate Battery Technology  
Battery 80V ■ 21.6 kWh ■ 270Ah  
Charger 80V ■ 200A  
**Single 80V AC Drive Motor**  
Regenerative Braking  
LED Lights (Front ■ Rear ■ Strobe)  
LCD Display  
4-Way Hydraulic Valve  
Rear Grab Handle with Horn  
Rearview Mirrors  
Ramp Hold Assist

## STANDARD SAFETY FEATURES

Cornering Speed Reduction  
Operator Presence Sensor (OPS)  
Orange Seatbelt with Interlock

## OPTIONAL EQUIPMENT


Universal 110V Wall Charger  
Charger 80V ■ 100A  
Grammer® Suspension Seat  
Synchronized Steering  
Blue Light  
Rear Working Light



### BYD Material Handling

18910 S Wilmington Ave  
Rancho Dominguez, CA 90220

BYD Forklift production site is certified:  
**ISO 9001 ISO 14004 OHSAS 18001**

 661-940-3255

 [byd-forklifts.com](http://byd-forklifts.com)

 [sales@byd-forklifts.com](mailto:sales@byd-forklifts.com)