

# WSTX22



**CLARK** introduces the WSTX22 powered drive counterbalanced narrow aisle walkie for handling a variety of loads

## FEATURES & BENEFITS

- **HYDRAULICS**

Lift cylinder is hard chrome. Pump unit includes motor, gear pump, and solenoid. Pressure compensated lowering valves regulates lowering speeds.

- **ELECTRICAL**

AC travel controller and AC drive motor provides high torque throughout the entire drive range. Regenerative braking and brushless design drastically reduces maintenance. Travel speed remains constant relative to throttle position regardless of the load on truck. Automatic resetting circuit breaker and one-piece micro switch design complete the system.

- **BRAKES**

Electromagnetic brake is mounted on motor armature shaft multiplying the braking power through the transmission. Brake is applied when control arm is in the vertical or horizontal handle position. Travel speed is reduced when forks are above 12" fork height. Neutral braking resists roll back on ramps.

- **CONTROLS**

Travel, lift, lower and tilt functions are located in the ergonomic operator handle, designed to allow operation with either hand. Wrap around guard, reversing switch, thumb control, and horn are standard.

Angle grips are designed to allow easy operation with either hand. Low mounted tiller arm offers excellent operator comfort and minimum steering effort.

- **TRANSMISSION**

Vertically mounted drive motor is direct mounted to gear housing. Oil bathed ZF GK10 hypoid bevel gear drive-train transfers power to axle. State of the art optimized gear technology supplies advantages such as minimal envelope circle, zero maintenance, low noise level, high efficiency and high performance.

- **FRAME AND MAST**

Bolt-on high visibility I-beam construction, lift cylinders are positioned in outer I-beam for good operator visibility through mast. Dual lifting chains. Class two ITA fork carriage with 36" tall load back rest

- **ACCESSIBILITY**

Removal of two-piece power head cover exposes major components for inspection and maintenance. Drive wheel is removed with one nut.

- **BEARINGS**

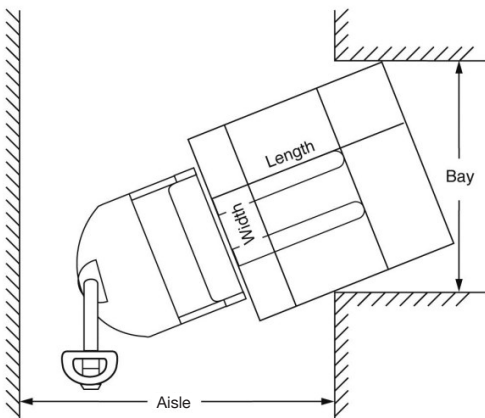
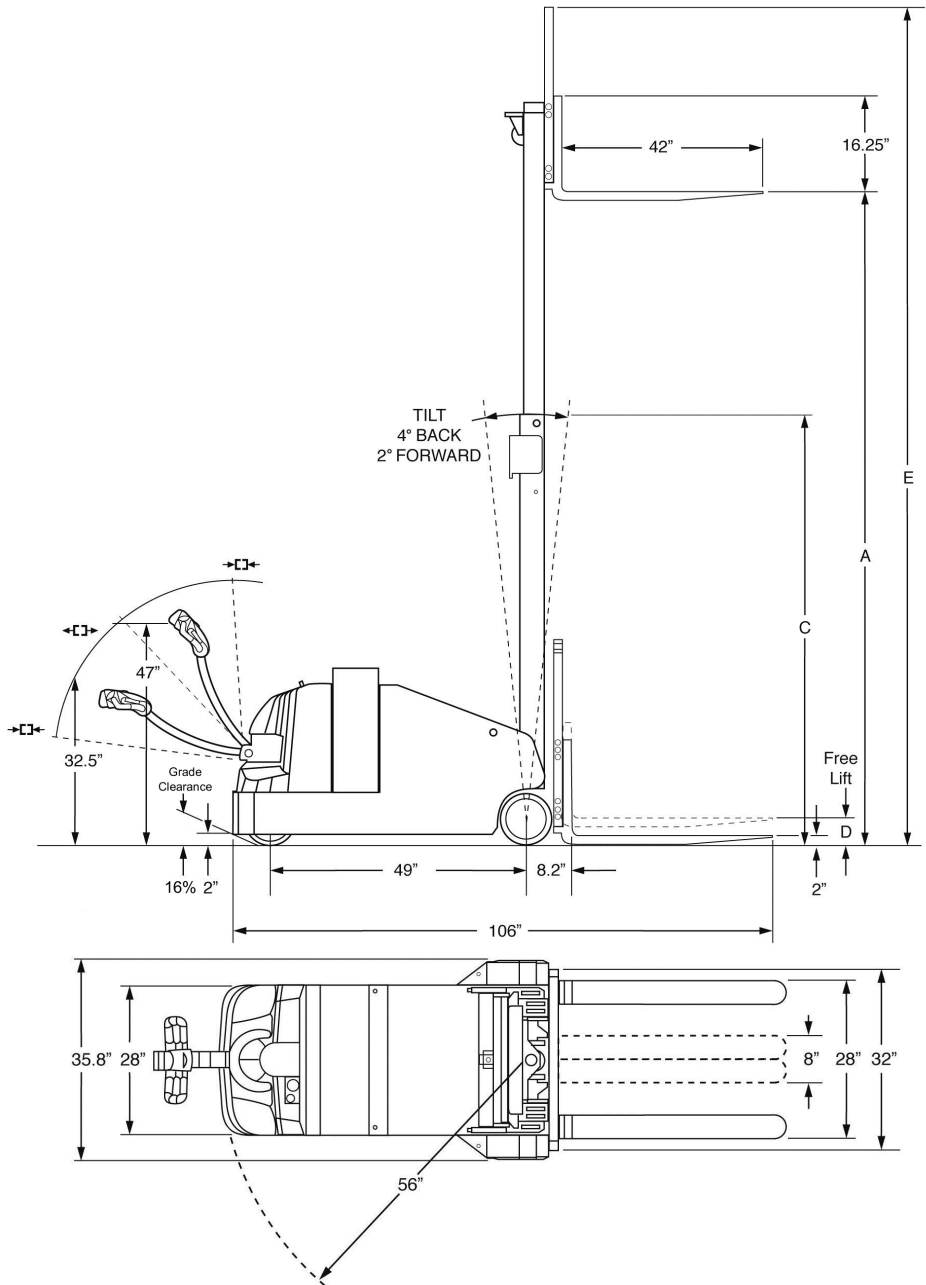
**DRIVE WHEEL**-Tapered roller bearings sealed in oil bath

**LOAD WHEELS**-Sealed ball bearings



# SPECIFICATIONS

- CAPACITY**  
 2200 lbs. at 24" Load Center
- BATTERY**  
 Compartment: 26.37" x 9.01" x open.  
 Minimum battery weight 340 lbs.
- SPEED**  
 24-volt ZAPI ACO Travel Controller  
**TRAVEL**  
 Variable from 0 mph to 3.4 mph empty  
 Variable from 0 mph to 3.1 mph loaded
- TILT**  
 4° Back 2° forward
- LIFT**  
 Up to 33 fpm empty  
 Up to 25 fpm loaded
- LOWERING**  
 Up to 29 fpm empty  
 Up to 57 fpm loaded
- TIRES / WHEELS**  
**DRIVE**  
 9" x 3" polyurethane  
**LOAD**  
 8" x 3" polyurethane
- STANDARD EQUIPMENT**
  - Regenerative Neutral Braking
  - Gas Assist Spring Handle
  - Low Battery Interrupt
  - Hour Meter BDI Combo Gauge
  - Key Switch
  - 36" Tall Load Backrest
  - Four Pack Power MF 224 AH/5.4 kwh 110VAC plug-in charger



Aisle dimensions listed above assume 4" between loads. Use the larger dimension; load width or load length. For ease of use and add 6" to 12" for operator clearance to the appropriate specifications listed above. Truck performance may vary due to application requirements' and changes in model design.

Dimensions								
Model	Mast	Lift height	Col Height	Free Lift	Ext Height w/LBR	Grade-ability	Grade-ability	Weight Chasis Only
		A	C	D	E	Loaded	Unloaded	
WSTX22	Two Stage	104"	72.3"	6"	143"	5%	8%	4005 lbs.
WSTX22	Two Stage	128"	83.2"	6"	165"	5%	8%	4082 lbs.

## Aisle Guide

WS22M Right Angle Stacking

Load Length			
Load Width	36"	40"	48"
36"	115"	120"	125"
40"	115"	120"	125"
48"	115"	120"	125"

For ease of use add 8" to aisle dimension listed



**CLARK Material Handling Company**  
 North American Headquarters  
 700 Enterprise Drive • Lexington, KY 40510  
 866-252-5275 • www.clarkmhc.com



59-894-0964